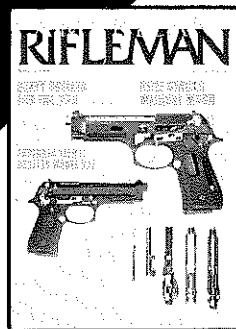


Exploded Views:



Beretta Model 92F (M9) Pistol

BY DOUG WICKLUND

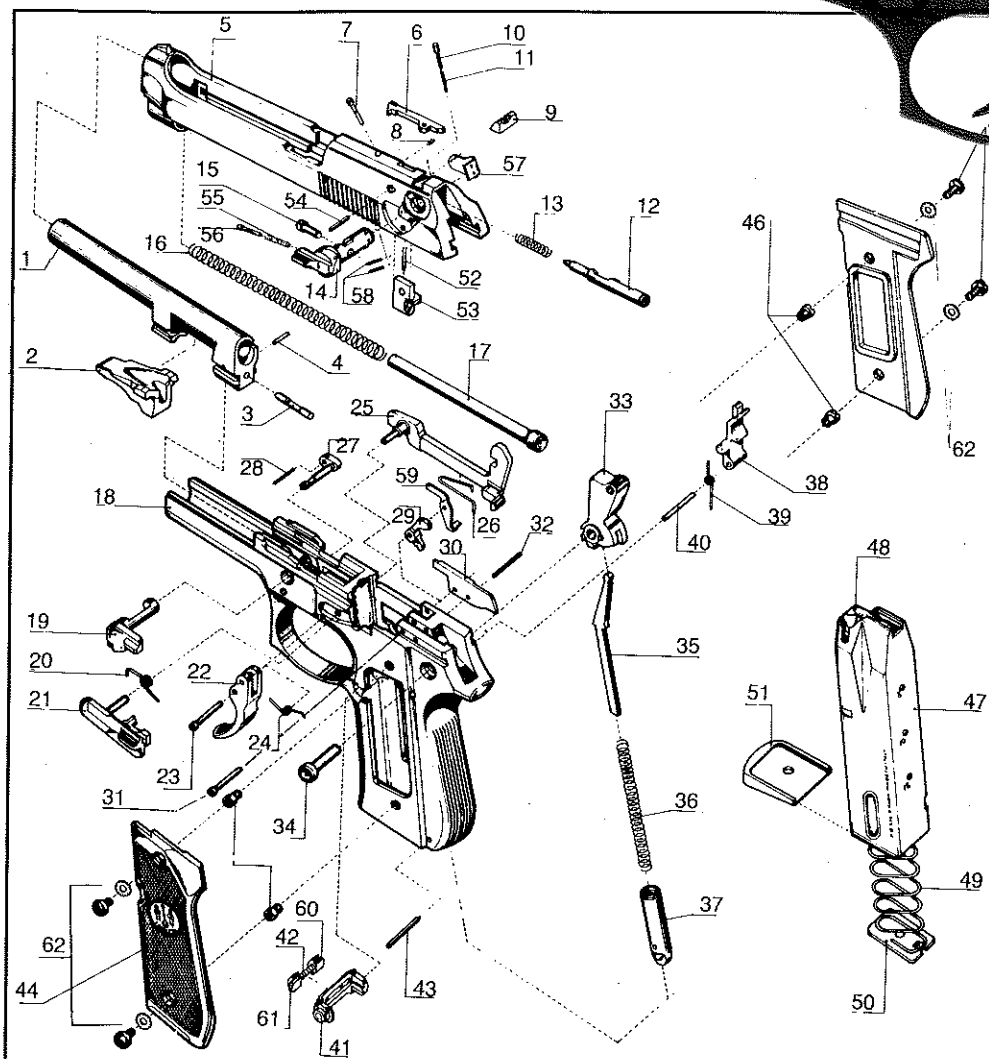
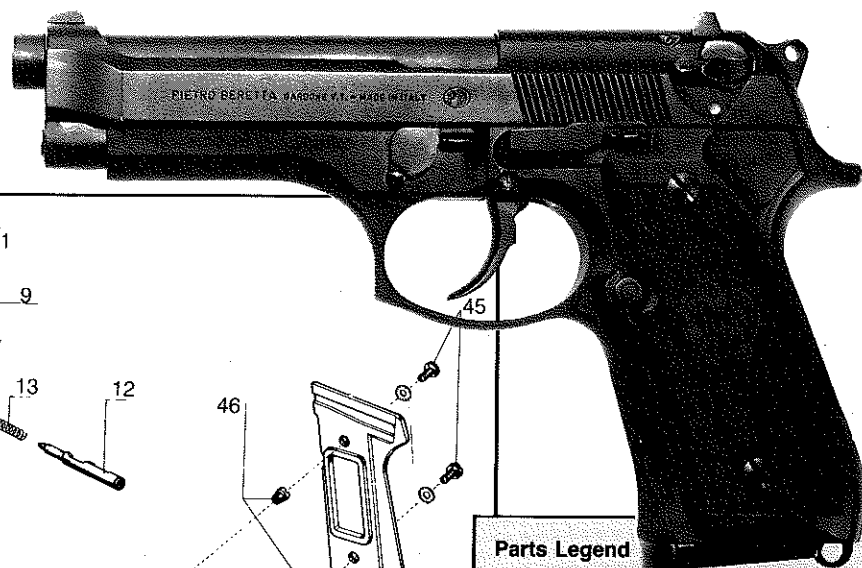
Adopted by the U.S. military in 1984 as the M9 pistol, the Beretta 92F 9 mm also has been chosen by many police agencies.

THE Beretta Model 92SB-F pistol was adopted in 1984 as a U.S. government military standard pistol. Its official designation is the M9 pistol or PDW (Personal Defense Weapon). More recent imports of this Beretta 9 mm are marked as Model 92Fs.

Tracing its ancestry back to the earlier, single-action Beretta Models 1934 .380 and 1951 "Brigadier" 9 mm pistols, the double-action 92F's disassembly instructions may be applied in part to earlier variants of the Beretta Model 92 and the Brazilian-made Taurus 92, although both of these pistols feature frame-mounted sear-blocking safeties instead of the 92F's slide-mounted firing pin block safety. When the safety on a 92F is turned down to the "on-safe" position, the firing pin is physically disconnected from the hammer and the connection between the trigger and sear is interrupted.

An additional blocking device incorporated in the 92F is designed to prevent the firing pin from moving forward to strike a cartridge primer unless the trigger is pulled rearward, even if the pistol is dropped and lands muzzle-first.

Additional information on the Beretta 92SB-F can be found in the August 1985 *American Rifleman*, pp. 48-51. ■



Parts Legend

1. Barrel
2. Locking block
3. Locking block plunger
4. Locking block plunger retaining pin
5. Slide
6. Extractor
7. Extractor pin
8. Extractor spring
9. Rear sight
10. Trigger bar release plunger
11. Trigger bar release plunger spring
12. Firing pin
13. Firing pin spring
14. Left safety lever
15. Firing pin plunger
16. Recoil spring
17. Recoil spring guide
18. Frame
19. Disassembly latch
20. Slide catch spring
21. Slide catch
22. Trigger
23. Trigger pin
24. Trigger spring
25. Trigger bar
26. Trigger bar spring
27. Disassembly latch release button
28. Disassembly latch release button spring
29. Hammer release lever
30. Ejector
31. Hammer release lever pin
32. Ejector spring pin
33. Hammer
34. Hammer pin
35. Hammer strut
36. Hammer spring
37. Hammer spring cap
38. Sear
39. Sear spring
40. Sear pin
41. Magazine release button
42. Magazine release button spring
43. Hammer spring cap spring pin
44. Grip (LH/RH)
45. Grip screws (4)
46. Grip screw bushings (4)
47. Magazine tube
48. Magazine follower
49. Magazine spring
50. Magazine lock plate
51. Magazine base
52. Firing pin block spring
53. Firing pin block
54. Firing pin retaining spring pin
55. Safety plunger spring
56. Safety plunger
57. Right safety lever
58. Right safety lever spring pin (2)
59. Firing pin block lever
60. Magazine catch spring bush (short)
61. Magazine catch spring bush (long)
62. Grip spring washers (4)

Disassembly Instructions

Clear the pistol by removing the magazine, retracting the slide, and checking the chamber and magazine well.

With the slide forward and the hammer down, press the disassembly latch release button (27) and swing the disassembly latch (19) down and forward. Allow the slide assembly to move forward off the frame (18) (Fig. 1). With the slide assembly resting upside down on a firm surface, lift the recoil spring guide (17) from its step on the locking block (2) and, restraining the guide, remove the spring (16) and guide to the rear. Push the plunger (3) at the rear of the barrel underlug (1) to detach the locking block from the slide lugs (Fig. 2). Move the barrel forward to clear the extractor (6) and remove from the slide.

This completes basic field-stripping of the Beretta 92F. Further disassembly is not recommended by Beretta unless performed by a competent gunsmith. Nevertheless, considering the likelihood that the Beretta will be with us in quantity in the foreseeable future, we pass along our experience in full disassembly.

Remove the grips (44), taking care not to lose the grip screw washers (62). Press the back of the magazine release button (41) down and away for removal. Reinstalling the magazine release can be done with the button oriented to the left or right.

Depress the upper arm of the trigger bar spring (26) from its groove in the underside of the trigger bar (25) and slowly release the spring out and away to the right. Remove the trigger bar. Pull the slide catch (21) out to remove the catch and its spring (20). The trigger pin (23) can be drifted out to the left, freeing the trigger (22) and its spring (24).



Fig. 1

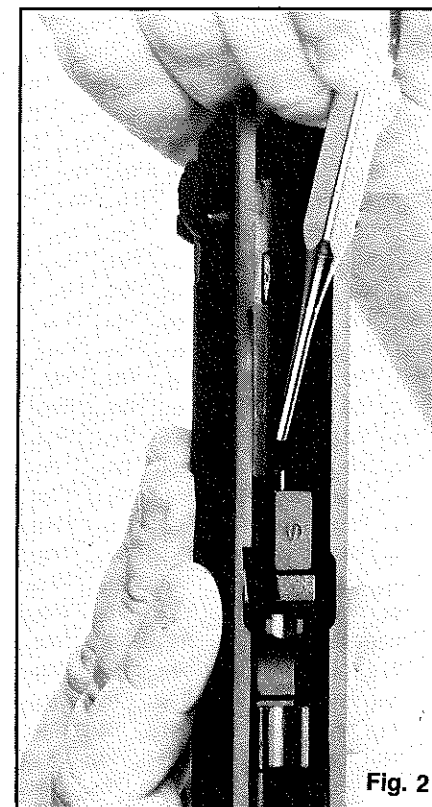


Fig. 2

retaining spring pin (54) to remove the firing pin block (53) and its spring (52). With a punch, dislodge the firing pin plunger (15), depress the rear face of the firing pin (12), and pull the left safety lever (14) up and to the left for removal, taking care not to lose the safety plunger (56) and its spring (55), the trigger bar release plunger (10) and its spring (11). Slowly release pressure on the firing pin to remove it and its spring (13). Drift out the extractor pin (7) and pry out the extractor (6) and extractor spring (8).

To disassemble the magazine, use a punch to depress the stud on the lock plate (50). Release the magazine base (51) by sliding it forward, taking care to restrain the magazine spring (49) and lock plate as tension is released (Fig. 3).

Reassembly is in reverse order.

Drift out the hammer spring cap spring pin (43) to free the cap (37) and slowly release tension on the hammer spring (36) to remove. Tapping out the hammer pin (34) will allow the removal of the hammer (33) and strut (35). Drift out the sear pin (40) to release the sear (38) and its spring (39) into the magazine well. Tap out the hammer release lever pin (31) and the ejector spring pin (32) to free the ejector (30) and the hammer release lever (29) for removal upwards from the frame.

Remove the firing pin block lever (59) by lifting up and out.

With the slide-mounted safety in "on-safe" position, drift out the two right safety lever spring pins (58). Pull the right safety lever (57) to the right for removal. Tap out the firing pin

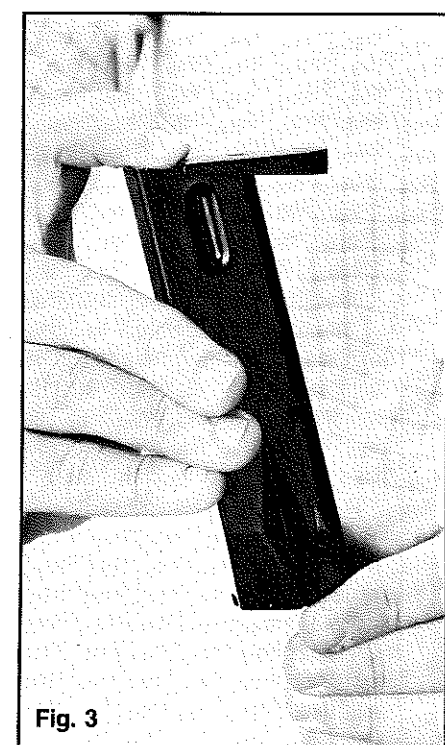


Fig. 3